

FEATURES

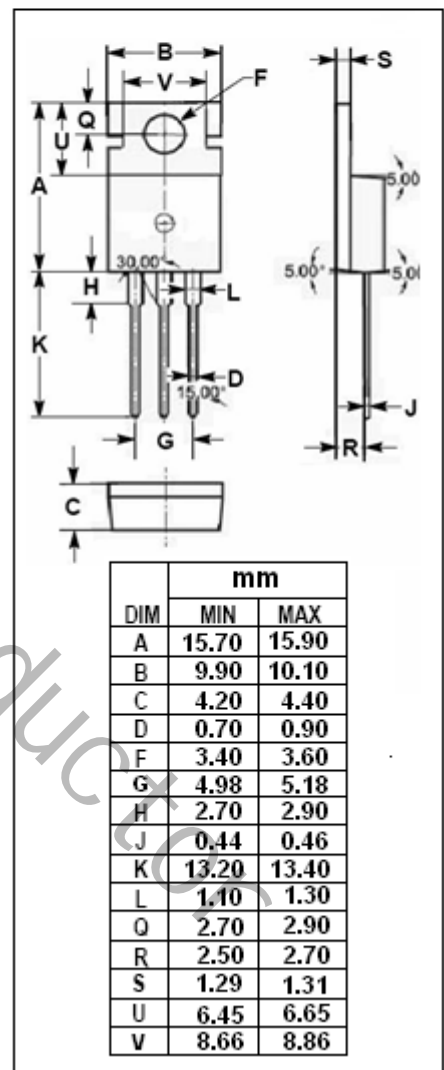
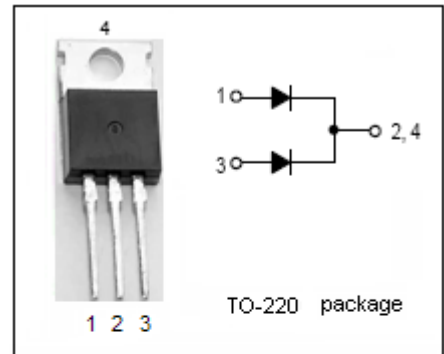
- Dual Rectifier Conduction, Positive Center Tap
- Low Power Loss/High Efficiency
- High Current Capability, Low Forward Voltage Drop
- High Surge Capacity
- Guarding for Overvoltage protection
- For Use in Low Voltage, High Frequency Inverters, Free Wheeling, and Polarity Protection Applications

MECHANICAL CHARACTERISTICS

- Case: Epoxy, Molded
- Finish: All External Surfaces Corrosion Resistant and Terminal Leads are Readily Solderable
- High Temperature Soldering Guaranteed: 250°C Max. for 10 Seconds

ABSOLUTE MAXIMUM RATINGS(T_a=25°C)

SYMBOL	PARAMETER	VALUE	UNIT
V _{RRM}	Peak Repetitive Reverse Voltage	60	V
V _{RMS}	RMS Voltage	42	
V _R	DC Blocking Voltage	60	
I _{F(AV)}	Average Rectified Forward Current T _C = 100°C	30	A
I _{FSM}	Nonrepetitive Peak Surge Current 8.3ms single half sine-wave superimposed on rated load conditions	200	A
T _J	Junction Temperature	-55~150	°C
T _{stg}	Storage Temperature Range	-55~175	°C
dv/dt	Voltage Rate of Change (Rated V _R)	10,000	V/μs



THERMAL CHARACTERISTICS

SYMBOL	PARAMETER	MAX	UNIT
$R_{th\ j-c}$	Thermal Resistance, Junction to Case	1.5	°C/W

ELECTRICAL CHARACTERISTICS (Pulse Test: Pulse Width $\leq 300\ \mu s$, Duty Cycle $\leq 2\%$)

SYMBOL	PARAMETER	CONDITIONS	MAX	UNIT
V_F	Maximum Instantaneous Forward Voltage	$I_F = 30A; T_C = 25^\circ C$ $I_F = 30A; T_C = 125^\circ C$	0.95 0.85	V
I_R	Maximum Instantaneous Reverse Current	Rated DC Voltage, $T_C = 25^\circ C$	0.2	mA